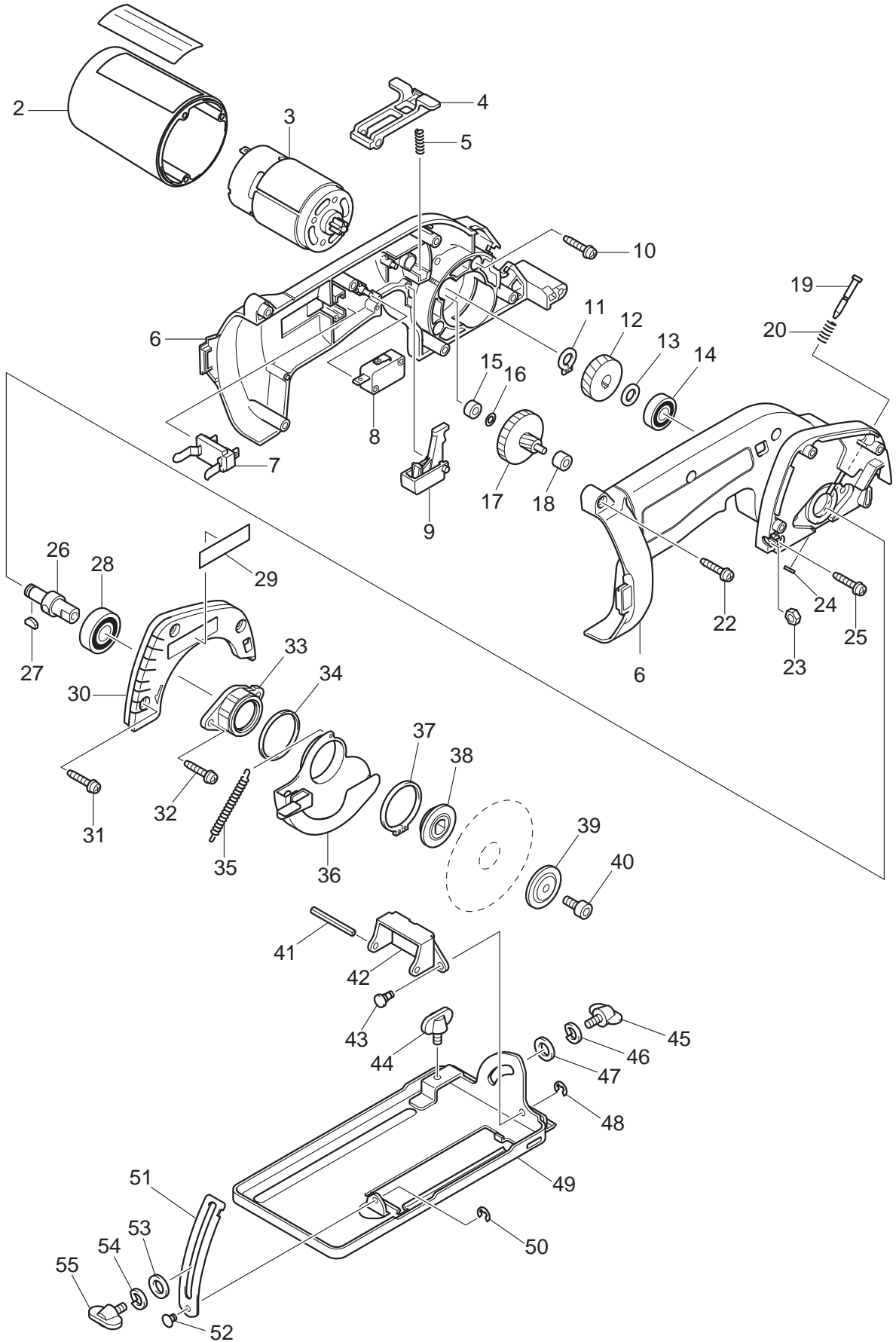




02 - 2010
5094DWD
14.4V 3-3/8" CIRCULAR SAW KIT



| Item No. | Type | Sub | Part No. | Description | Qty | Unit |
|----------|------|------|----------|-----------------------------------|-----|------|
| 2 | | | 416142-4 | MOTOR HOUSING | 1 | PC. |
| 3 | | | 629737-6 | DC MOTOR | 1 | PC. |
| | | INC. | 221882-9 | SPUR GEAR 15 | 1 | PC. |
| 4 | | | 415680-3 | LOCK OFF LEVER | 1 | PC. |
| 5 | | | 233024-3 | COMPRESSION SPRING 4 | 1 | PC. |
| 6 | | | 183102-8 | HOUSING SET | 1 | PC. |
| 7 | | | 643909-9 | BATTERY HOLDER | 1 | PC. |
| 8 | | | 651891-8 | SWITCH V-15-3A6 | 1 | PC. |
| 9 | | | 415679-8 | SWITCH LEVER | 1 | PC. |
| 10 | | | 265995-6 | TAPPING SCREW 4X18 | 3 | PC. |
| 11 | | | 961004-6 | RETAINING RING S-8 | 1 | PC. |
| 12 | | | 226448-0 | HELICAL GEAR 33 | 1 | PC. |
| 13 | | | 253215-0 | FLAT WASHER 8 | 1 | PC. |
| 14 | | | 211033-2 | BALL BEARING 608LB | 1 | PC. |
| 15 | | | 214019-5 | PLANE BEARING 4 | 1 | PC. |
| 16 | | | 253307-5 | THIN WASHER 4 | 1 | PC. |
| 17 | | | 226819-1 | GEAR COMPLETE 8-68 | 1 | PC. |
| 18 | | | 214027-6 | PLANE BEARING 4 | 1 | PC. |
| 19 | | | 268002-4 | PIN 5 | 1 | PC. |
| 20 | | | 231240-1 | COMPRESSION SPRING 7 | 1 | PC. |
| 22 | | | 265995-6 | TAPPING SCREW 4X18 | 4 | PC. |
| 23 | | | 931202-6 | HEX. NUT M5 | 1 | PC. |
| 24 | | | 961011-9 | STOP RING E-4 | 1 | PC. |
| 25 | | | 265995-6 | TAPPING SCREW 4X18 | 1 | PC. |
| 26 | | | 322810-8 | SPINDLE | 1 | PC. |
| 27 | | | 254031-3 | WOODRUFF KEY 3 | 1 | PC. |
| 28 | | | 211061-7 | BALL BEARING 6000LLB | 1 | PC. |
| 29 | | | 819080-3 | MAKITA LABEL | 1 | PC. |
| 30 | | | 415678-0 | BLADE CASE | 1 | PC. |
| 31 | | | 265995-6 | TAPPING SCREW 4X18 | 3 | PC. |
| 32 | | | 265995-6 | TAPPING SCREW 4X18 | 2 | PC. |
| 33 | | | 415677-2 | BEARING BOX | 1 | PC. |
| 34 | | | 267134-4 | FLAT WASHER 30 | 1 | PC. |
| 35 | | | 231802-5 | TENSION SPRING | 1 | PC. |
| 36 | | | 165116-9 | SAFETY COVER | 1 | PC. |
| 37 | | | 961128-8 | RETAINING RING S-28 | 1 | PC. |
| 38 | | | 224324-2 | INNER FLANGE 28 | 1 | PC. |
| 39 | | | 224177-9 | OUTER FLANGE 28 | 1 | PC. |
| 40 | | | 922212-4 | HEX. SOCKET HEAD BOLT M5X12 | 1 | PC. |
| 41 | | | 951134-1 | SPRING PIN 4-45 | 1 | PC. |
| 42 | | | 344594-8 | ANGULAR GUIDE | 1 | PC. |
| 43 | | | 268028-6 | PIN 5 | 1 | PC. |
| 44 | | | 265756-4 | THUMB SCREW M5X10 (OLD# 251899-8) | 1 | PC. |
| 45 | | | 265756-4 | THUMB SCREW M5X10 (OLD# 251899-8) | 1 | PC. |
| 46 | | | 942101-7 | SPRING WASHER 5 | 1 | PC. |
| 47 | | | 941101-4 | FLAT WASHER 5 | 1 | PC. |
| 48 | | | 961017-7 | STOP RING E-3 | 1 | PC. |
| 49 | | | 168317-8 | BASE | 1 | PC. |
| 50 | | | 961017-7 | STOP RING E-3 | 1 | PC. |
| 51 | | | 344592-2 | DEPTH GUIDE | 1 | PC. |
| 52 | | | 268004-0 | PIN 4 | 1 | PC. |
| 53 | | | 941101-4 | FLAT WASHER 5 | 1 | PC. |
| 54 | | | 942101-7 | SPRING WASHER 5 | 1 | PC. |
| 55 | | | 265756-4 | THUMB SCREW M5X10 (OLD# 251899-8) | 1 | PC. |
| 56 | | | 655000-B | PLUG FOR CIGARETTE LIGHTER | 1 | PC. |
| 100 | | | 654086-2 | RECEPTACLE | 2 | PC. |

| Item No. | Type | Sub | Part No. | Description | Qty | Unit |
|---------------------------|-------------|------------|-----------------|--------------------------|------------|-------------|
| <u>ACCESSORIES</u> | | | | | | |
| A01 | | | 783202-0 | HEX. WRENCH 4 | 1 | PC. |
| A02 | | | 414938-7 | BATTERY COVER | 1 | PC. |
| A03 | | | 164095-8 | GUIDE RULE | 1 | PC. |
| A04 | | | 792623-5 | 3-3/8" C.T. SAW BLADE | 1 | PC. |
| A05 | | | 824532-1 | PLASTIC CARRYING CASE | 1 | PC. |
| A06 | | | 193158-3 | 14.4V Ni-MH BATTERY 1434 | 1 | PC. |
| A07 | | | DC1414 | CHARGER DC1414 | 1 | PC. |
| A08 | Opt. | | 343579-1 | SET PLATE | 1 | PC. |